

### Overview:

The Altronix ALTV2416 CCTV Power Supply is designed with 16 individually fused outputs for powering CCTV Cameras and other video accessories. It will provide 24VAC distributed via 16 fused outputs with a total of 8 amps continuous supply current.

### Specifications:

- Input 115VAC 50/60 Hz, 1.8 amp.
  - 24 VAC output.
  - 16 individual fused protected outputs.
  - 8 amps (200 VA) supply current.
  - Output fuses are rated at 3.5 amps / 250VAC (Fig. 1).
  - Main fuses are rated at 5 amps / 250VAC (Fig. 1).
  - Surge protection.
  - AC power LED indicator.
  - Power ON/OFF switch.
  - Spare fuses included.
  - Unit maintains camera synchronization.
  - Ease of installation saves time and eliminates costly labor.
- Enclosure dimensions: 8"H x 7.25"W x 3.5"D

**Note:** Also available with 220VAC input.

### Installation Instructions:

1. Mount ALTV2416 in desired location.
2. Slide switch SW1 (Fig. 1) to OFF position.
3. Connect the AC (115VAC 50/60 Hz) to the two black and white flying leads of the transformers (Fig. 1).
4. Connect devices to output terminals using the following procedure (Fig. 1).  
Circuit Board A - Camera 1 thru 8 output terminals marked [1P & 1N thru 8P & 8N].  
Circuit Board B - Camera 9 thru 16 output terminals marked [1P & 1N thru 8P & 8N].  
**Note:** Is good operating practice to measure output voltage before connecting devices.  
All terminals with common suffix P [1P, 2P...] are same polarity.
5. Slide switch SW1 (Fig. 1) to ON position.
6. Green LED will illuminate when AC power is present
7. Upon completion of wiring, secure enclosure door with screws (supplied).

**WARNING:** To reduce the risk of fire or electric shock, do not expose the unit to rain or moisture. This installation should be made by qualified service personnel and should conform to all local codes and in accordance with the National Electrical Codes.

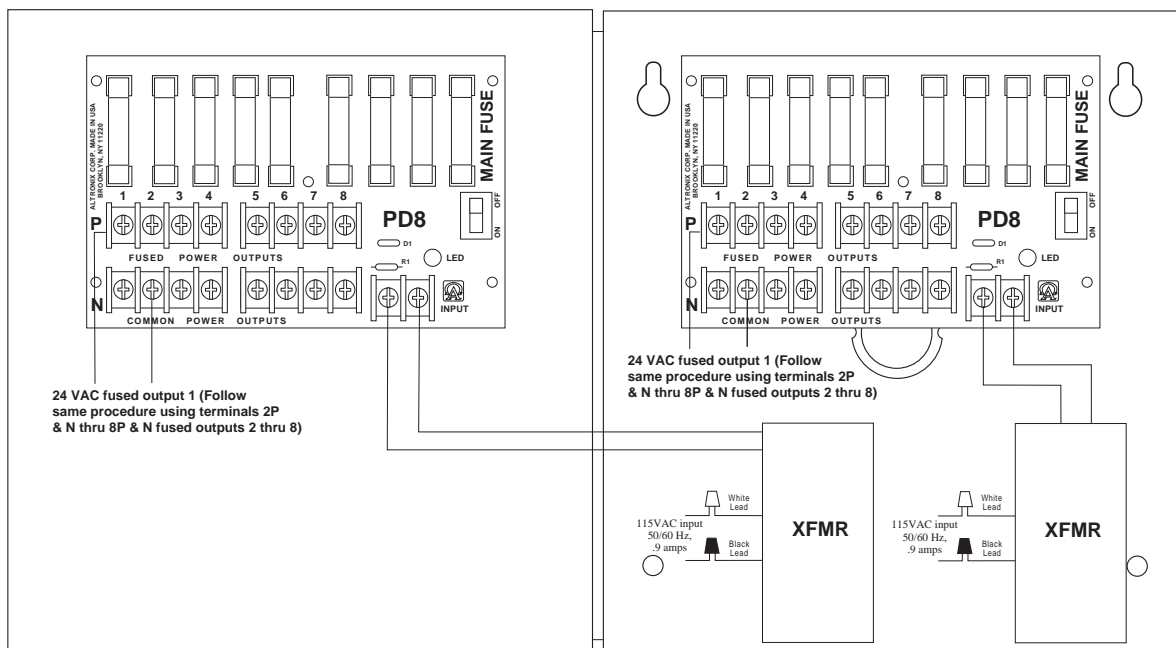
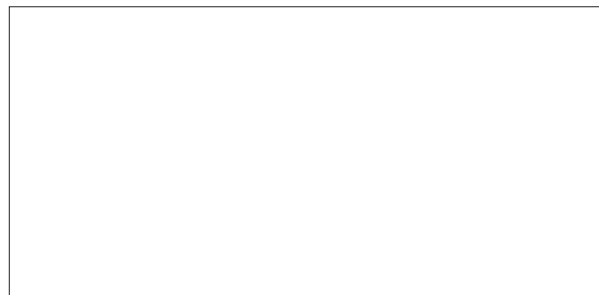
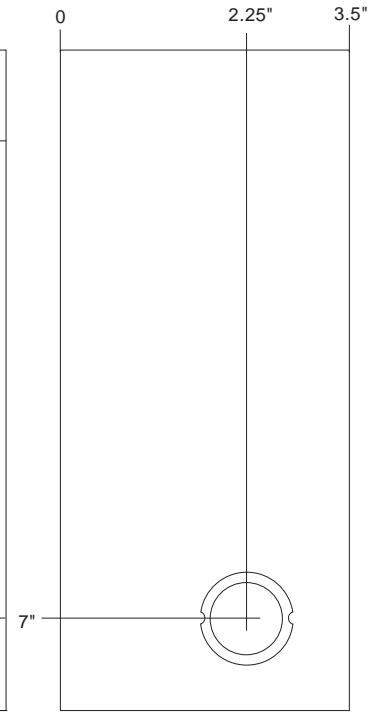
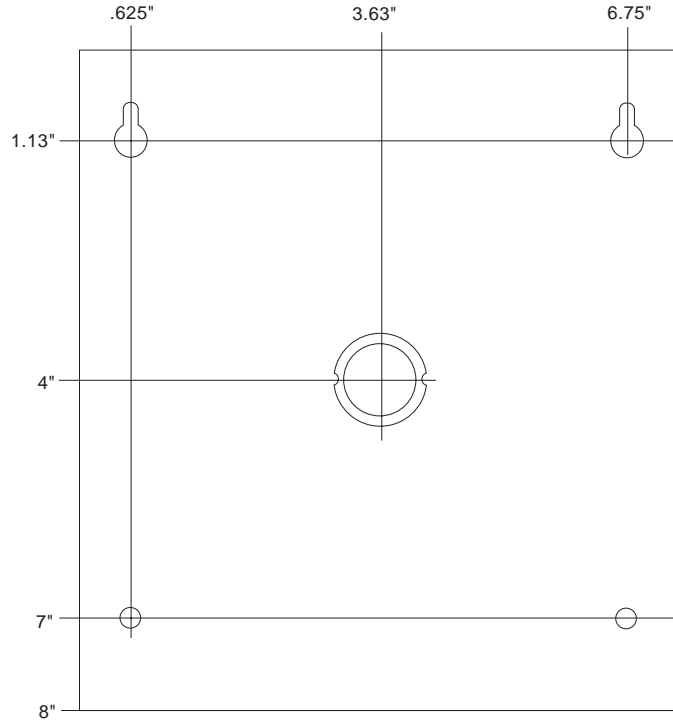
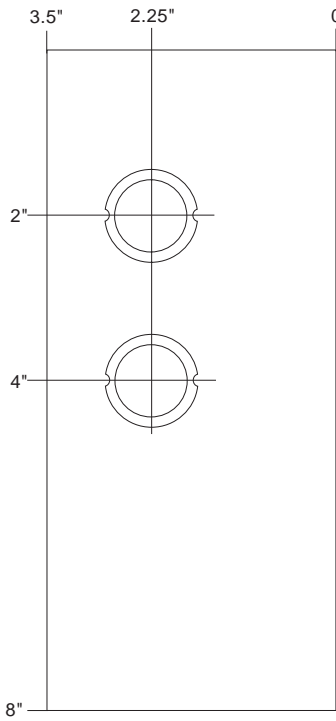
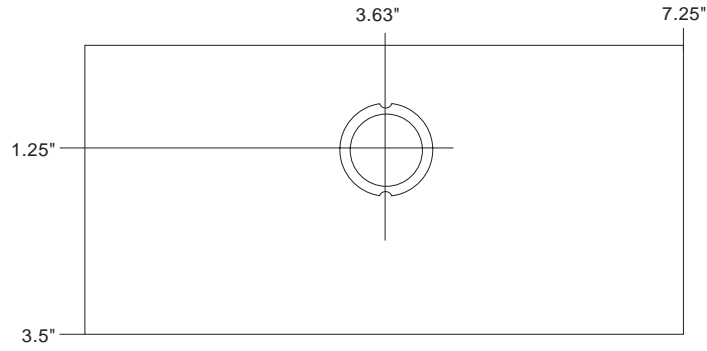


Fig. 1

**Enclosure dimensions:**

8"H x 7.25"W x 3.5"D



MEMBER

140 58th Street, Brooklyn, New York 11220 USA, 718-567-8181, fax: 718-567-9056

web site: [www.altronix.com](http://www.altronix.com), e-mail: [info@altronix.com](mailto:info@altronix.com), Made in U.S.A.

IIALTV2416 - Rev. 080400